



Sto Corp. | Exteriors

ArtPro™
Artistic and Protective
Finish Options for
Vertical Above Grade Walls

“ArtPro” is short for artistic and protective finishes for the various Sto systems or other substrate surfaces.

Sto Systems

- StoTherm® Systems
- StoPowerwall™ Stucco Systems
- StoQuik® Silver Cement Board Stucco Systems

The “look” is almost whatever you want. The level of protection is likewise expansive. The color consistency, water resistance, and fade resistance is known world-wide!

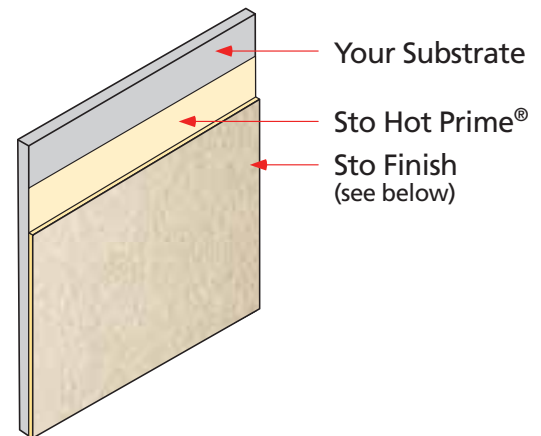
Other Opportunities/ Substrates

- Concrete
- Tilt-Up
- Concrete Masonry Unit (CMU)
- Insulated Concrete Forms (ICF)
- Autoclaved Aerated Concrete (AAC)
- Traditional Stucco

The Protection Options:

Direct Application

- For clean, smooth durable substrates



Moisture Protection for Use Under

- **HydroTight®** - a ready-mixed, one component, roller-applied, latex based material performs as a waterproofing undercoat for vertical and horizontal exterior coating applications.
- **Water** - wat com cem all t and

The Artistic Options: Finishes with texture

\$ = COST PER SQUARE FOOT C



1.0/Fine
\$



1.5/Medium
\$



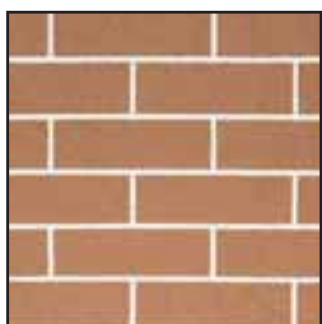
R 1.5/Swirl
\$



2.0
\$\$



StoCreativ® Limestone
\$\$



StoCreativ® Brick
\$\$\$\$



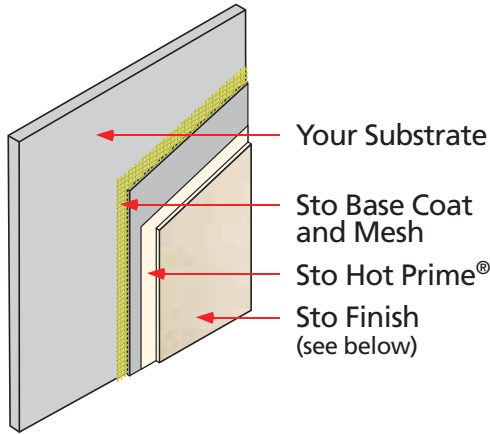
StoCreativ® Granite
\$\$\$\$



StoTique™
\$

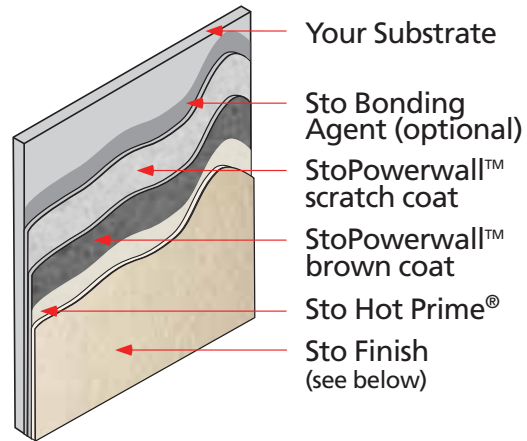
Lamina System

- For higher impact resistance on softer substrates
- For spanning minor cracks in underlying substrates



Cement Plaster Option*

- For leveling irregular substrates
- For higher impact resistance on softer substrates



Waterproof Exterior Finishes

Waterproofing Membrane - a flexible and breathable waterproof membrane based on a combination of acrylic emulsion, Portland cement and fine fibers. Used to waterproof various types of above or below-grade concrete and masonry. Trowel applied.

- **Flexyl** - an acrylic-based, fiber-reinforced, flexible adhesive and waterproofer for use on prepared concrete, masonry, plaster, gypsum and cement sheathing surfaces. Also used as a waterproof EIFS base coat. When combined with Portland cement; Sto Flexyl provides extra protection and works as a waterproof adhesive and base coat in Sto Wall Claddings; crack resistant and bridging as well as a foundation waterproofer.

COMPARISON



R 3.0
\$\$\$



Freeform finishes that can be almost whatever you make of them such as lace, skip trowel, etc.
\$\$



Sanded Paints
\$



GraniTex
\$\$\$\$



Decocoat
\$\$

Wow! No compromises needed.

When you are ready to pick your building's final exterior finish, give Sto a call. We will work collaboratively to fulfill your design and building performance dreams! For more information, including potential contractors experienced in installing ArtPro Finishes, call 1-888-786-3437 or visit us at www.stocorp.com.

Warranties are available based upon the type of system used. * The Cement Plaster Option may require metal lathe.

Sto Studio

Sto Studio offers color and aesthetic design options during the design and construction process to expedite decision making. These are powerful tools for architects, developers, building owners, general contractors, design/building firms, and other construction professionals.

Whether designing with EIFS, stucco, masonry, tilt-up construction or cementitious siding, Sto Studio can be your resource to ensure your project's success. We do this because the right design and color choices increase life cycle value, enhance curb appeal, heighten owner satisfaction and improve visibility and recognition of any building.

For more than 30 years, Sto Studio has been providing our unique services to clients worldwide offering customers a clear picture of their property's future.



BEFORE



RENDERING



AFTER

StoCoat™ Lotusan®

State of the art coating
with **Lotus-Effect®**

StoCoat Lotusan is a tintable coating that incorporates the unique **Lotus-Effect®** technology to offer ideal protection for façades. The microtextured surface considerably reduces the available contact area for dirt and water. As a result, dirt runs off with the rain.



Sto Corp.

3800 Camp Creek Parkway
Building 1400, Suite 120
Atlanta, GA 30331

Tel: 404-346-3666
Toll Free: 1-800-221-2397
Fax: 404-346-3119
www.stocorp.com



S742A 03/08 VEN 5609
Printed in the U.S.A.

ATTENTION

Sto products are intended for use by qualified professional contractors, not consumers, as a component of a larger construction assembly as specified by a qualified design professional, general contractor or builder. They should be installed in accordance with those specifications and Sto's instructions. Sto Corp. disclaims all, and assumes no, liability for on-site inspections, for its products applied improperly, or by unqualified persons or entities, or as part of an improperly designed or constructed building, for the nonperformance of adjacent building components or assemblies, or for other construction activities beyond Sto's control. Improper use of Sto products or use as part of an improperly designed or constructed larger assembly or building may result in serious damage to this product, and to the structure of the building or its components. **STO CORP. DISCLAIMS ALL WARRANTIES EXPRESSED OR IMPLIED EXCEPT FOR EXPLICIT LIMITED WRITTEN WARRANTIES ISSUED TO AND ACCEPTED BY BUILDING OWNERS IN ACCORDANCE WITH STO'S WARRANTY PROGRAMS WHICH ARE SUBJECT TO CHANGE FROM TIME TO TIME.** For the fullest, most current information on proper application, clean-up, mixing and other specifications and warranties, cautions and disclaimers, please refer to the Sto Corp. website, www.stocorp.com.